



Laser Enclosures

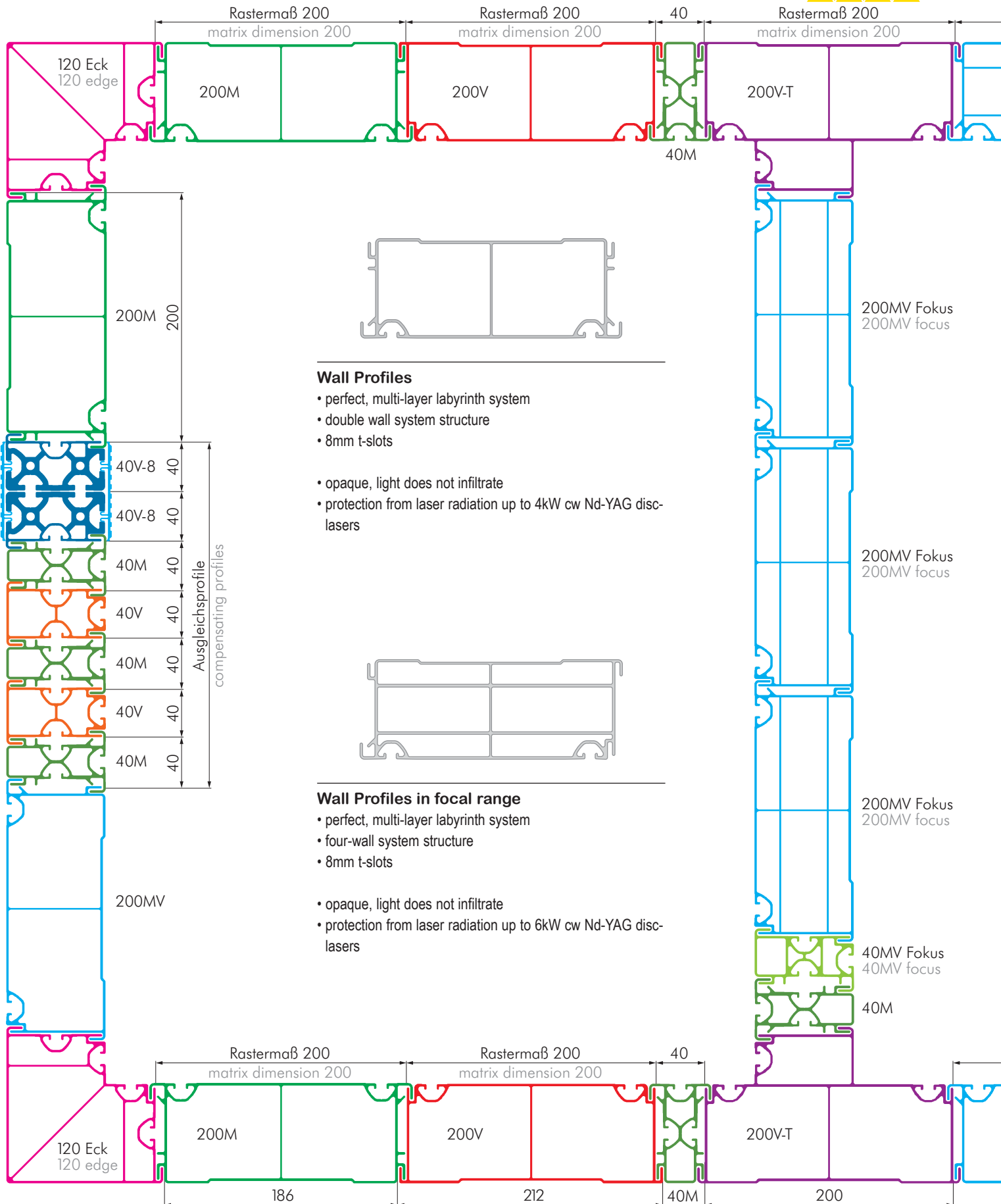
- for 4 kW Nd-YAG lasers
 - 4 kW disc lasers
 - 6 kW disc lasers
 - up to the focal distance (operating point)
 - according to: DIN EN 60825 "Laser Equipment"
 - DIN EN ISO 11553-1:2005
 - "Laser Machining"
- free standing laser enclosures
(no additional structural members required)
- self-supporting lengths up to 12 m
- laser enclosure height up to 7,5 m
- enclosure length and width unlimited
- engineered, multi-layer labyrinth system
- innovative design
- double wall structure
- four-wall construction for applications in focal range
- multiple beam systems can be combined within a wall
- corner angles can be infinitely positioned
- standard t-nuts facilitate simple installation of additional components
- fast-moving roll-up, horizontal / vertical rolling and sliding process doors
- automatic part insertion options without disengaging laser
- laser safe exhaust vents
- specially designed hose, pipe and cable entry systems
- patent-protected worldwide

We supply Laser Enclosures for:

- Daimler AG
- Volkswagen AG
- General Motors Corporation
- Ford Motor Company
- Benteler AG
- and others

worldwide:

- Germany
- Spain
- Portugal
- Slovakia
- Czech Republic
- Poland
- Mexico
- USA
- Argentina
- Brasil
- South Africa
- China

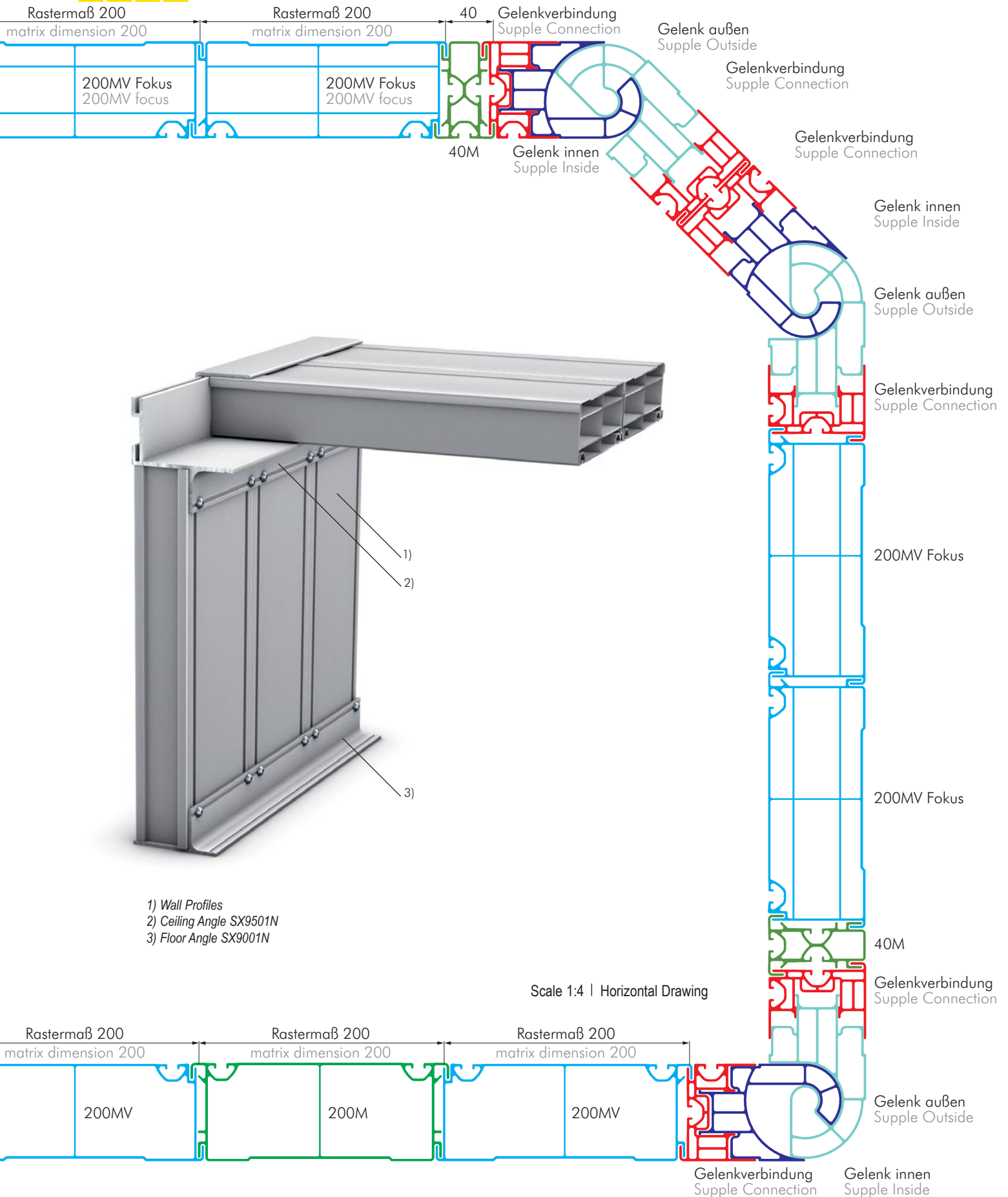


Wall Profiles

- perfect, multi-layer labyrinth system
- double wall system structure
- 8mm t-slots
- opaque, light does not infiltrate
- protection from laser radiation up to 4kW cw Nd-YAG disc-lasers

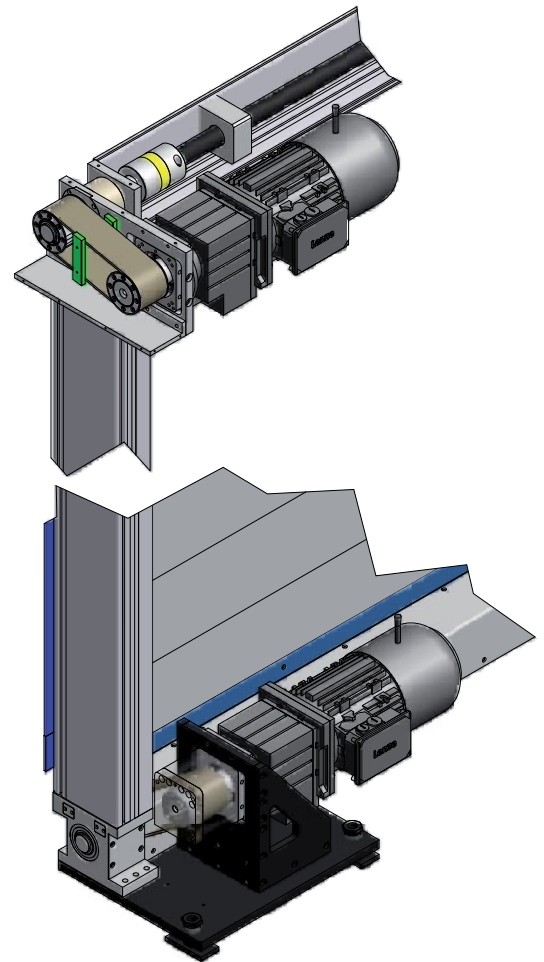
Wall Profiles in focal range

- perfect, multi-layer labyrinth system
- four-wall system structure
- 8mm t-slots
- opaque, light does not infiltrate
- protection from laser radiation up to 6kW cw Nd-YAG disc-lasers

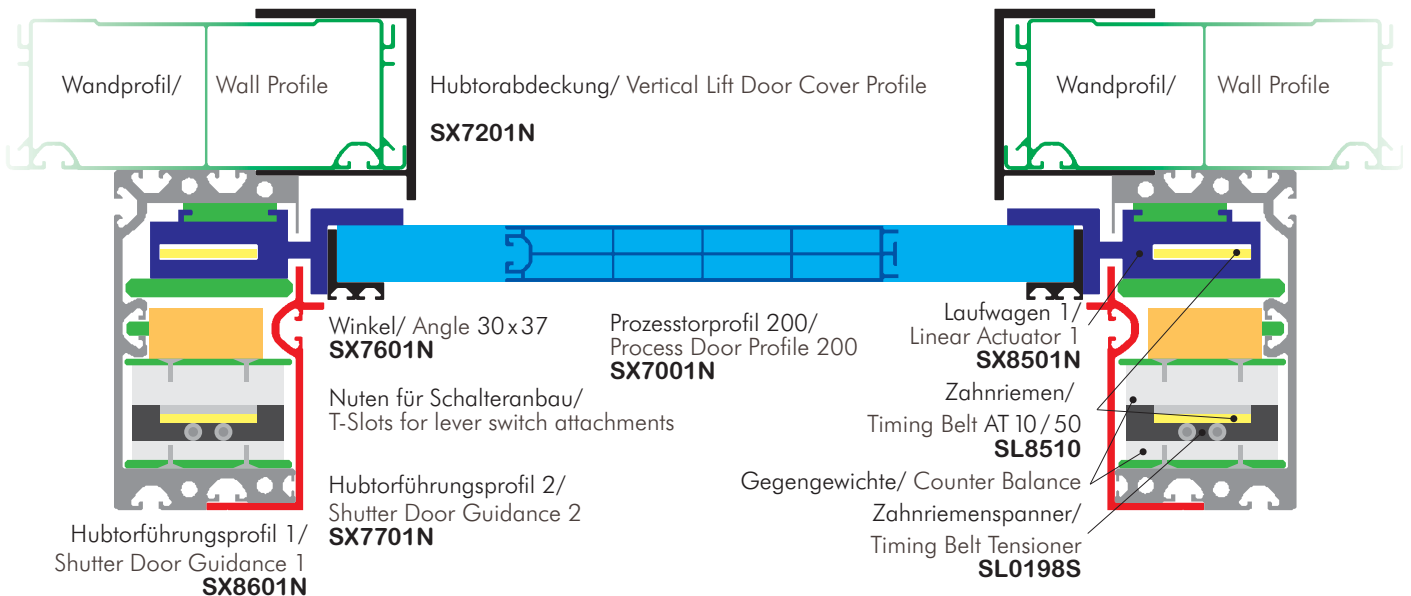




SH2000N



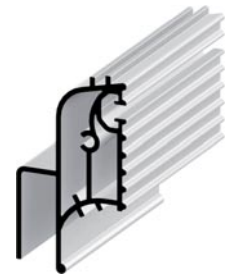
Motor attachment on top or bottom as desired.







Segment Door Profile 120 x 42.5



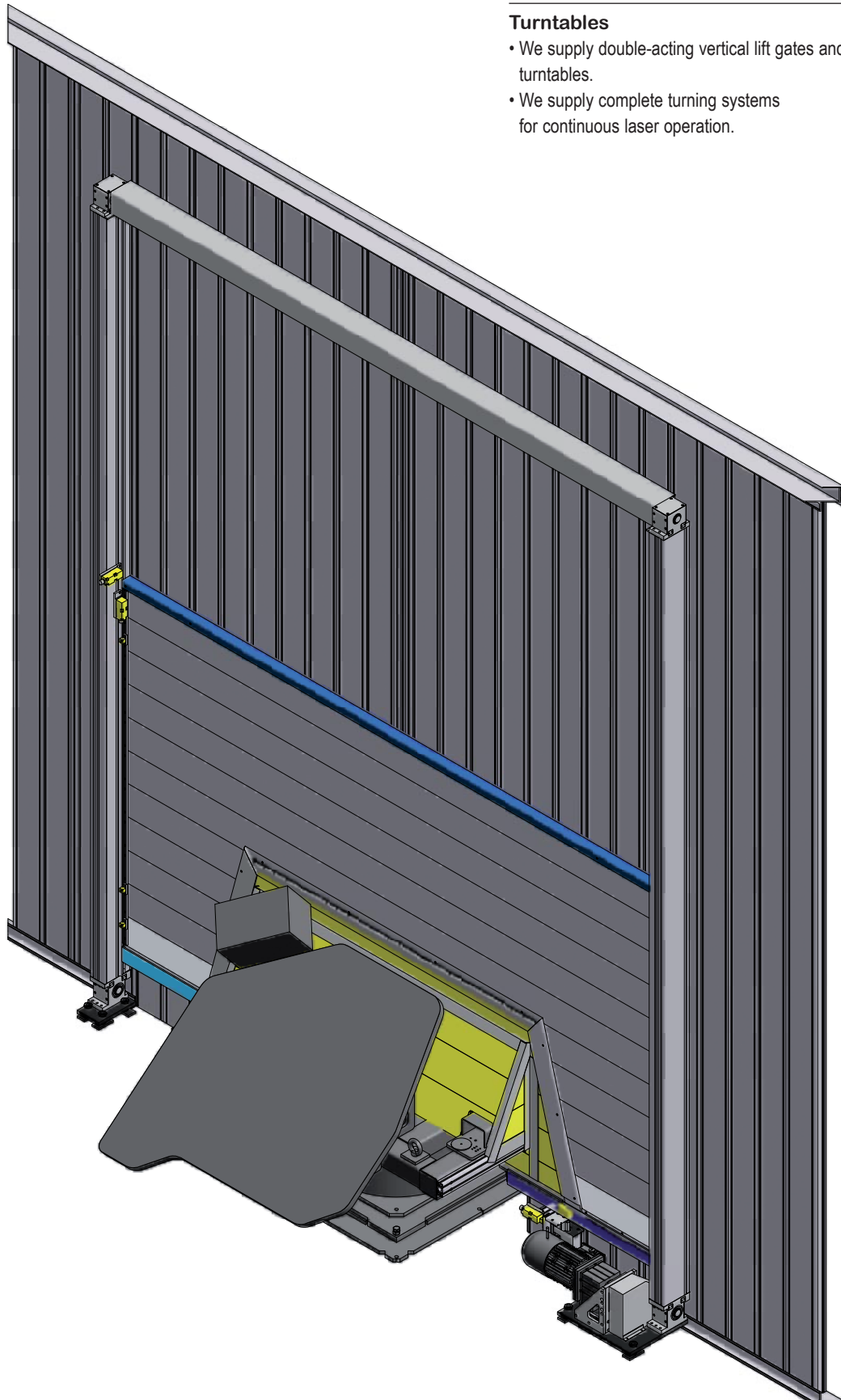
Segment Door Profile 120 x 66.5



Segment Door Profile 80 x 42.5

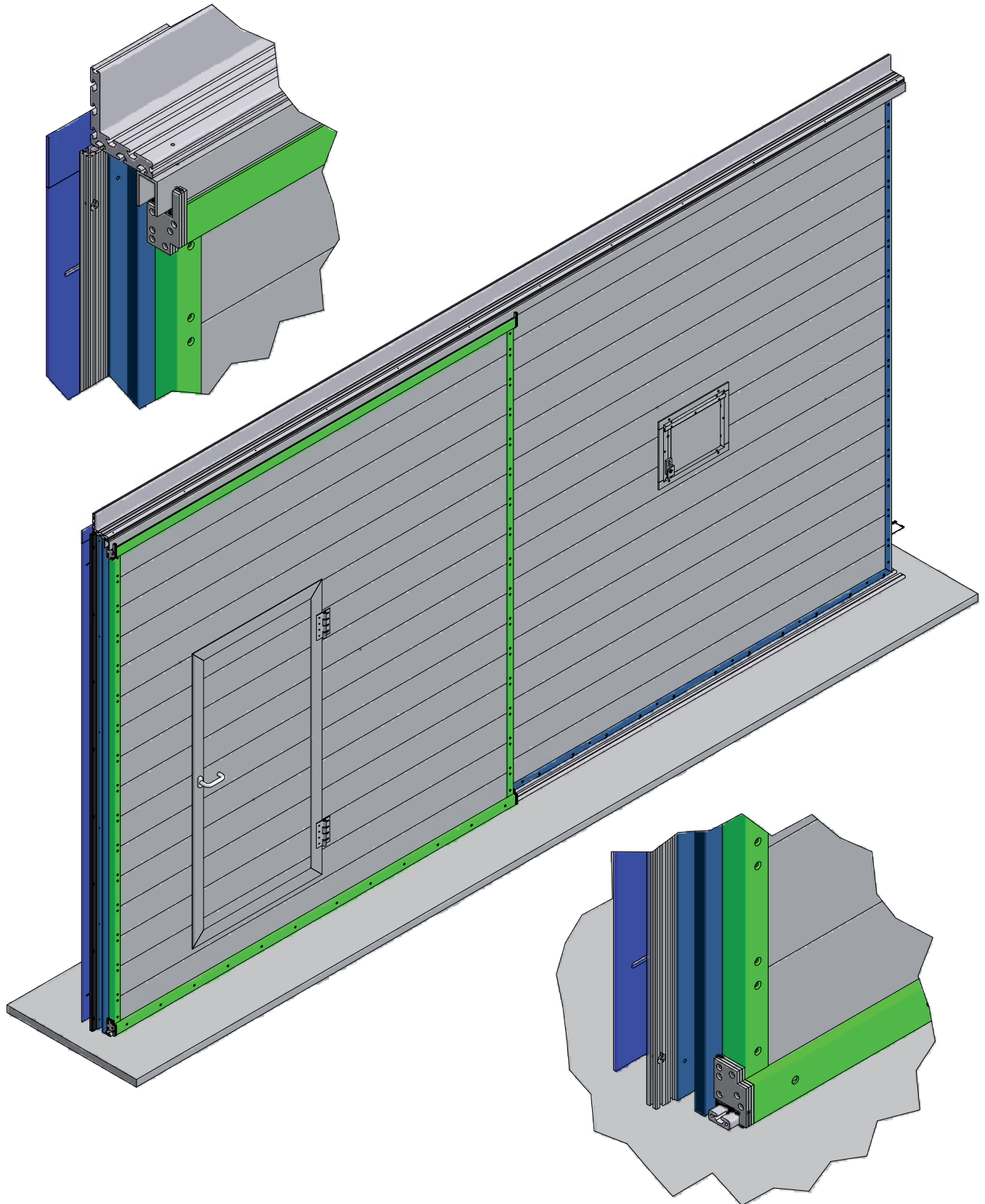


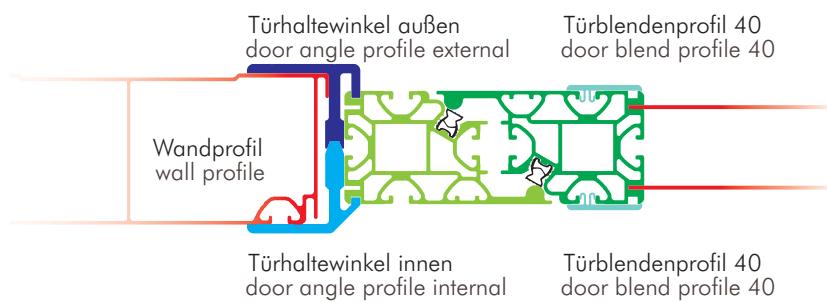
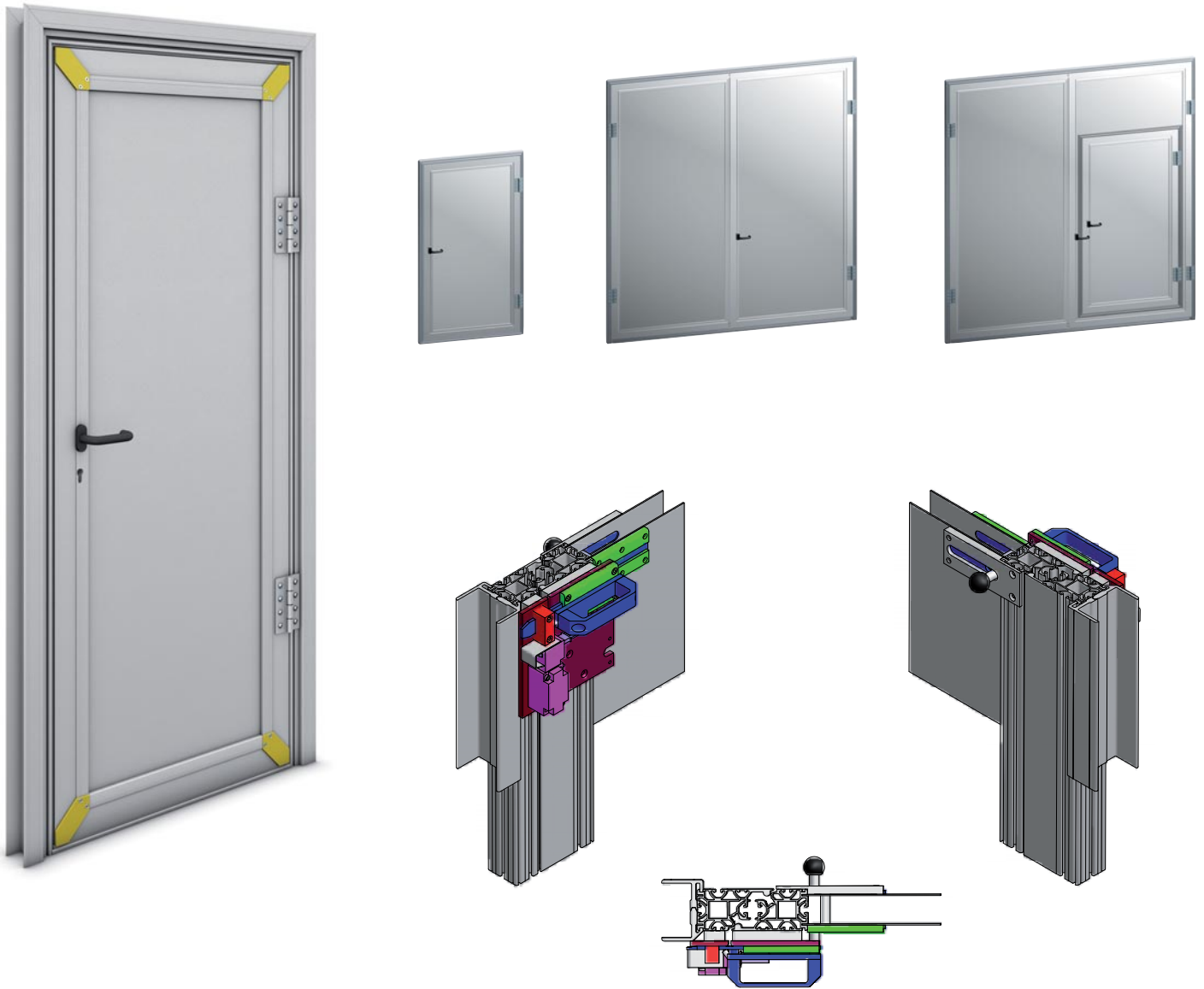
Timing Belt Clamp Profile



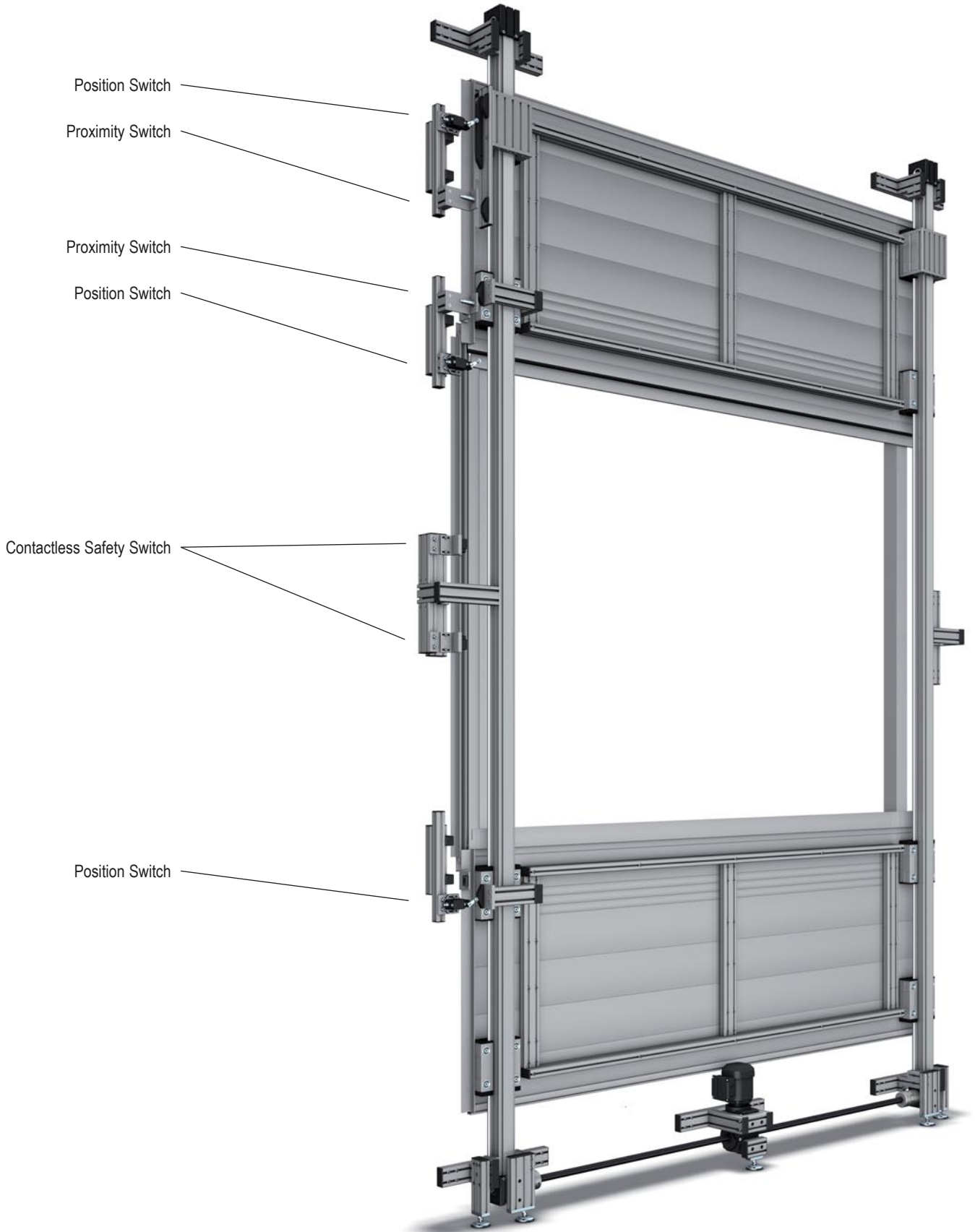
Turntables

- We supply double-acting vertical lift gates and encasements for turntables.
- We supply complete turning systems for continuous laser operation.

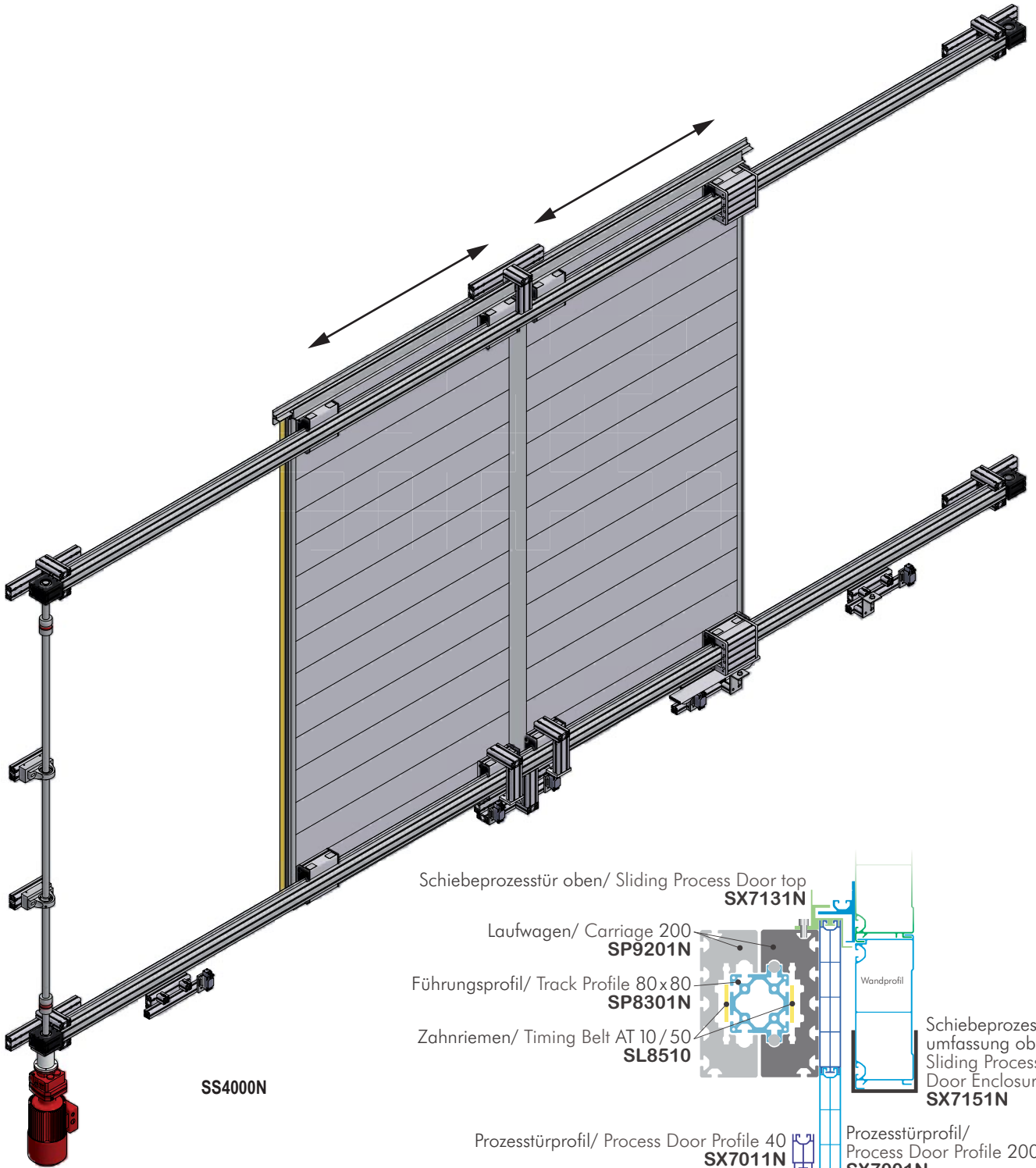




Scale 1:4 | Horizontal Drawing



SH3000N



SS4000N

Schiebeprozesstür oben/ Sliding Process Door top
SX7131N

Laufwagen/ Carriage 200
SP9201N

Führungsprofil/ Track Profile 80x80
SP8301N

Zahnriemen/ Timing Belt AT 10/50
SL8510

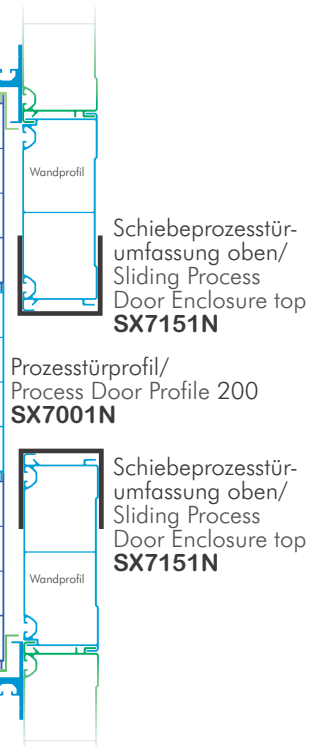
Prozesstürprofil/ Process Door Profile 40
SX7011N

Laufwagen/ Carriage 200
SP9201N

Führungsprofil/ Track Profile 80x80
SP8301N

Zahnriemen/ Timing Belt AT 10/50
SL8510

Schiebeprozesstür unten/ Sliding Process Door bottom
SX7141N



Schiebeprozesstür-
umfassung oben/
Sliding Process
Door Enclosure top
SX7151N

Prozesstürprofil/
Process Door Profile 200
SX7001N

Schiebeprozesstür-
umfassung oben/
Sliding Process
Door Enclosure top
SX7151N

